

High Bay Bulb 120w



DESCRIPTION:

Touch-Plate's High Bay Bulbs are designed to offer better security, more lumens, and higher cost savings. Our Expanding Area Lights can offer energy savings of 70% or greater over traditional metal halide or high pressure sodium lighting. Our LEDs are optimal for new construction and retrofit installation.

PRODUCT FEATURES:

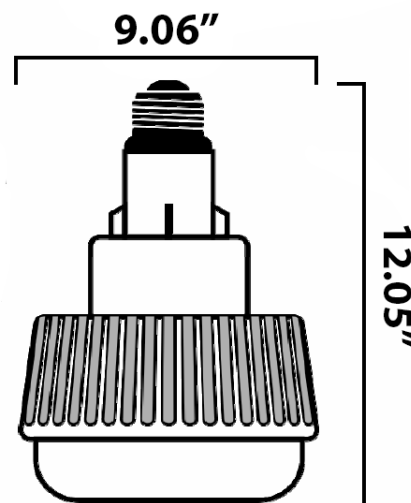
- Instant Start, no flickering or humming
- Eco-friendly, no mercury
- Omni-directional
- Emits no UV light
- Lifetime of 50,000 hrs or greater
- UL Listed (E482021)
- DLC Listed :
 - T230 120w
- 5 Year Limited Warranty

SPECIFICATIONS:

- Wattage: 120w
- Lumens: 15,000 (approx > 125lm/w)
- CRI: >80Ra
- Base Type: E39
- Material: PC
- Dimmable: Non-Dimmable
- LED Chip: SSC
- PF >0.9

PHYSICAL PARAMETERS:

- Dimensions
 - Diameter: 9.06"
 - Length: 12.05"
- Weight
 - 2.55 lbs



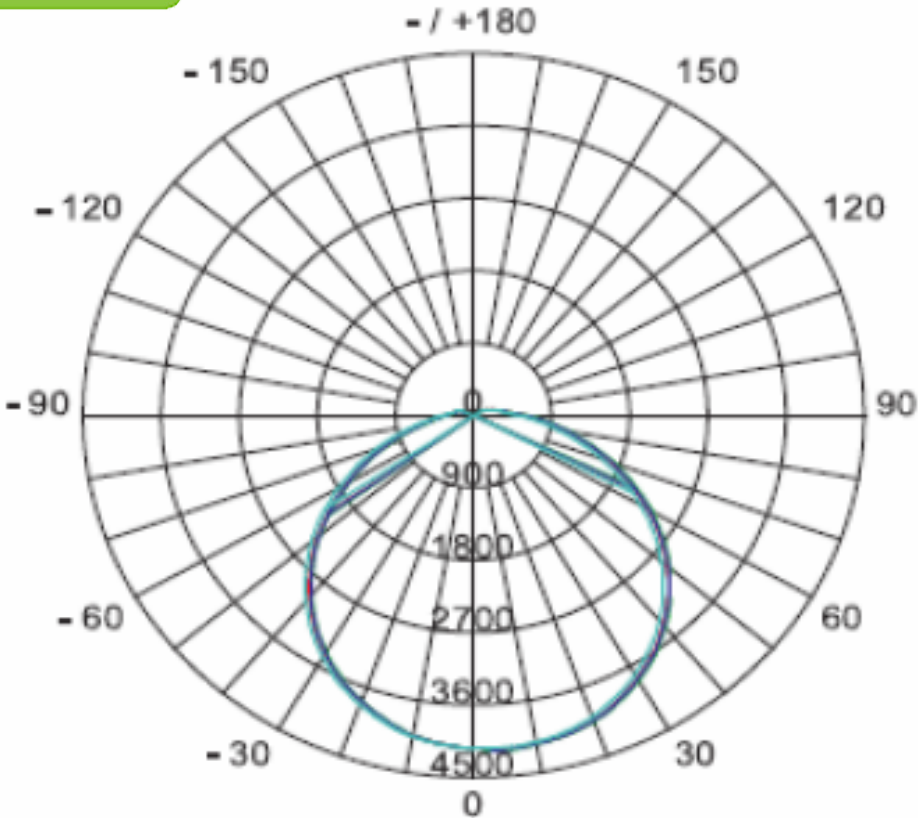


High Bay Bulb

ORDERING GUIDE

LED Type XXX-	Lumens - Wattage XXX-XXX-	CCT XX	Voltage X-	Base X
<ul style="list-style-type: none"> HBB Hight Bay Bulb 	<ul style="list-style-type: none"> 150Ž120 15ł0" " lm - #20w 	<ul style="list-style-type: none"> %" %" 00k 4" 4" 00k 50 5000k 	<ul style="list-style-type: none"> U 120-277v 	<ul style="list-style-type: none"> 3 E39

PHOTOMETRIC



High Bay Bulb

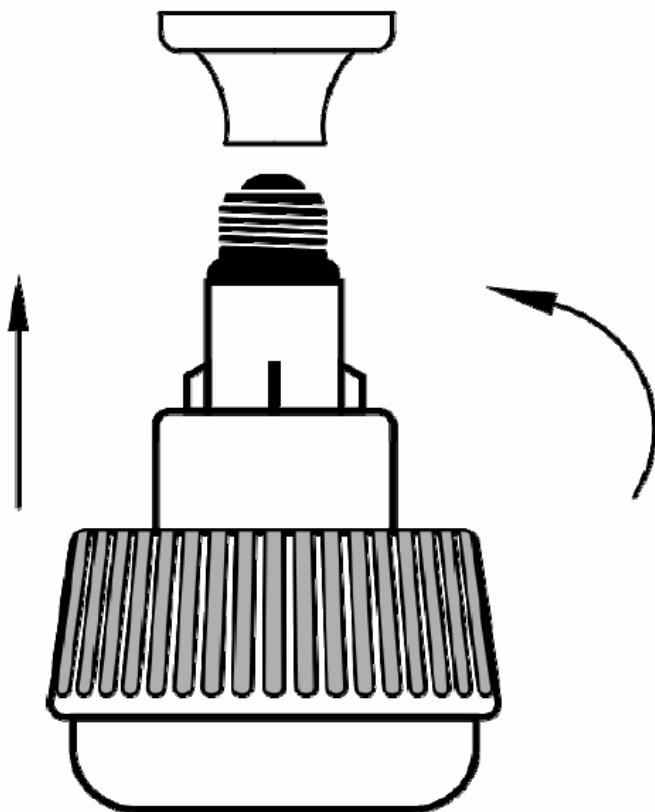
INSTALLATION INFORMATION (WIRING)

This product must be installed in accordance with National Electrical Code(NEC) and/or applicable local codes, by a qualified electrician.

DANGER - RISK OF SHOCK - DISCONNECT POWER BEFORE INSTALLATION

- Make the necessary 'HOT' (Black or Brown), 'Neutral' (White or Blue), and 'Ground' (Green) connections in an approved junction box.

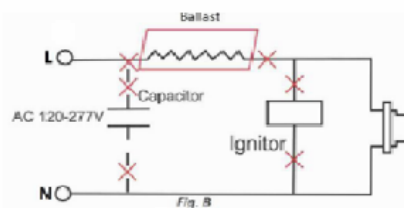
INSTALLATION INFORMATION



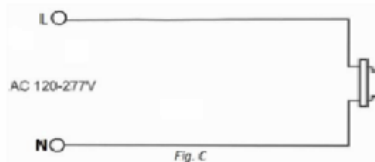
Step 1- Turn off the power before installation.

Step 2- Open the ballast box on the luminaire housing (As shown in fig. A).

Step 3- Bypass the ballast, ignitor and capacitor (as shown in fig. B)

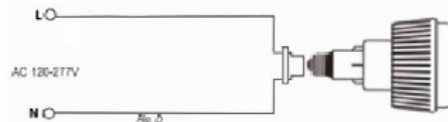


Step 4- Re-wire the circuit in the manner as shown in figure C below. Attach the re-lamping CAUTION label inside the luminaire housing.



Step 5- Remove existing Metal Halide lamp carefully after it cools down.

Step 6- Fit in LED Retrofit Lamp into the E39 Mogul base holder of the luminaire (as shown in fig. D)



Note: Do not over tight the threads of the LED lamp on the E39 Mogul base holder < you will damage the LED lamp, the holder or both. This lamp is rated for input voltage range 120-277V. Installer must determine what line voltage is available at the lum before installation.