

Gold Series Down Light 4" 8w



DESCRIPTION:

Touch-Plate's Down Lights are designed to offer better security, more lumens, and higher cost savings. Our Down Lights can offer energy savings of 70% or greater over traditional metal halide or high pressure sodium lighting. Our LEDs are optimal for new construction and retrofit installation.

PRODUCT FEATURES:

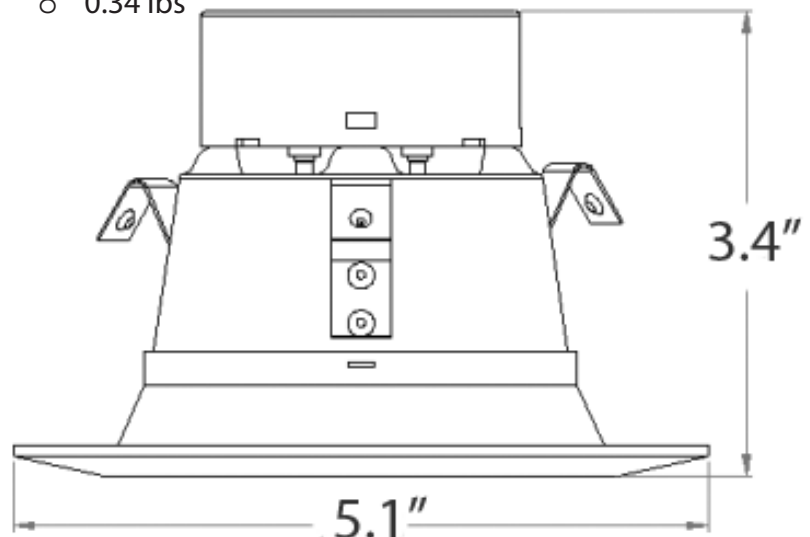
- Constant current power supply
- No strobe, no noise, no radiation
- Rapid start within 0.1 second
- Low energy consumption
- Lifetime of 50,000 hrs or greater
- 5 Year Limited Warranty

SPECIFICATIONS:

- Wattage: 8w
- Lumens: 600 (approx > 75lm/w)
- Equivalence: 20w A19/CFL
- IP Rating: IP40
- LED Chips: SMD
- PF: >0.90

PHYSICAL PARAMETERS:

- Dimensions
 - Diameter: 5.1"
 - Height: 3.4"
- Weight
 - 0.34 lbs



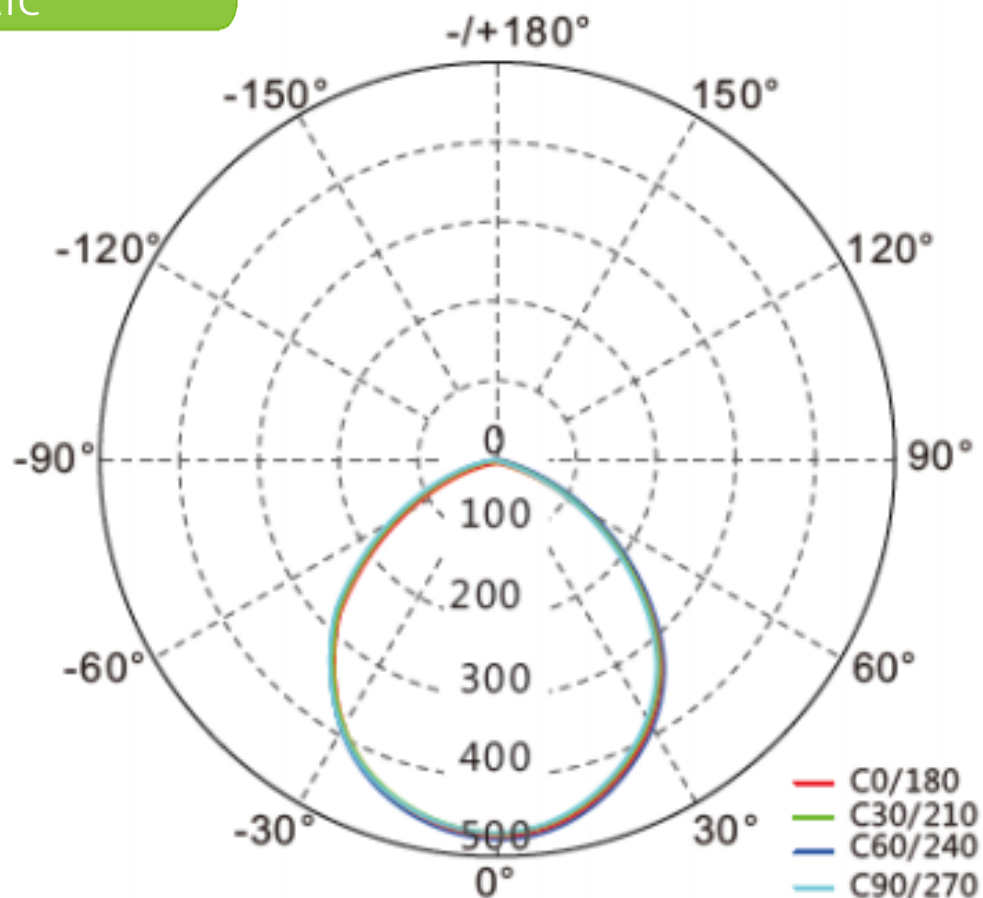


Gold Series Down Light

ORDERING GUIDE

LED Type XXX -	Lumens - Wattage XXX - XXX	CCT XX -	Voltage X -	Base X
<ul style="list-style-type: none"> DC4 Down 4" 	<ul style="list-style-type: none"> 006-008 600lm -8w 	<ul style="list-style-type: none"> 30 3000k 40 4000k 50 5000k 	<ul style="list-style-type: none"> R 120v 	<ul style="list-style-type: none"> 2 E26

PHOTOMETRIC



Gold Series Down light

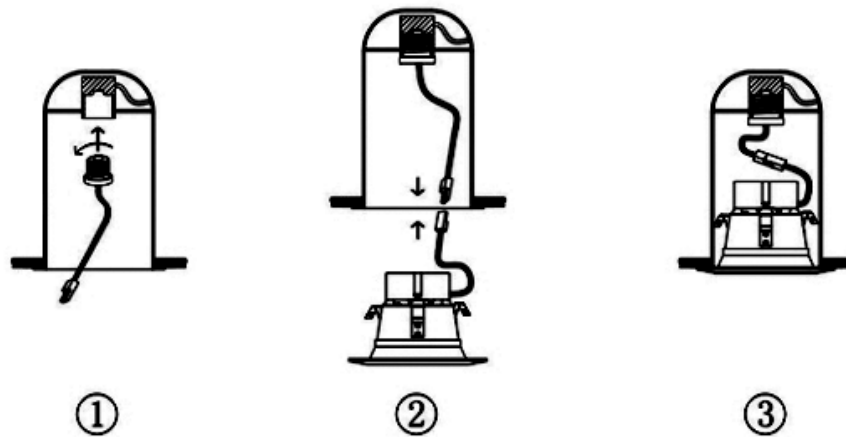
INSTALLATION INFORMATION (WIRING)

This product must be installed in accordance with National Electrical Code(NEC) and/or applicable local codes, by a qualified electrician.

DANGER - RISK OF SHOCK - DISCONNECT POWER BEFORE INSTALLATION

- Plug in the Down Light or make the necessary 'HOT' (Black or Brown), 'Neutral' (White or Blue), and 'Ground' (Green) connections in an approved junction box.

INSTALLATION INFORMATION



Steps:

- 1.Cut off the electricity.
- 2.Take the traditional light out and pull the wire with E26 base off.
- 3.Screw the base into the original holder.
- 4.Connect the wire by connectors.
- 5.Install the light into the container.