

# Bronze Series Down Light 4" 9w



## DESCRIPTION:

Touch-Plate's Down Lights are designed to offer better security, more lumens, and higher cost savings. Our Down Lights can offer energy savings of 70% or greater over traditional metal halide or high pressure sodium lighting. Our LEDs are optimal for new construction and retrofit installations.

## PRODUCT FEATURES:

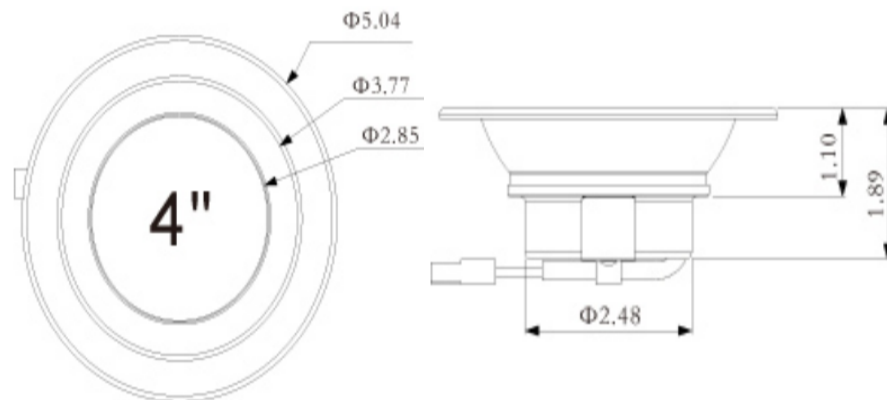
- Constant power supply
- No strobe, no noise, no radiation
- Rapid start within 0.1 second
- Low energy consumption
- Lifetime of 50,000 hrs or greater
- 5 Year Limited Warranty

## SPECIFICATIONS:

- Wattage: 9w
- Lumens: 600 (approx > 75lm/w)
- Equivalence: 20w A19/CFL
- UL Listed (E467550)
- IP Rating: IP40
- LED Chips: SMD
- PF: >0.80

## PHYSICAL PARAMETERS:

- Dimensions
  - Diameter: 5.04"
  - Height: 1.89"
- Weight
  - 0.34 lbs



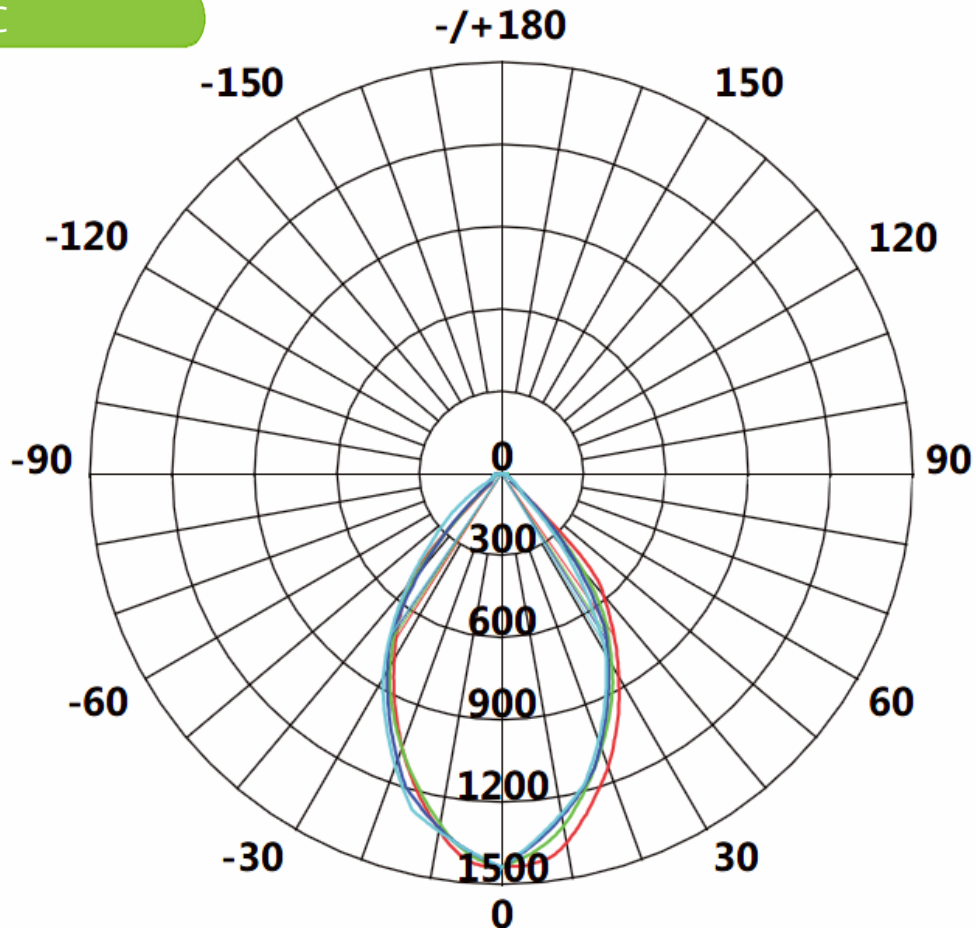


# Bronze Series Down Light

## ORDERING GUIDE

LED Type XXX -	Lumens - Wattage XXX - XXX	CCT -XX	Voltage X -	Base X
<ul style="list-style-type: none"> <li><b>DC4</b> Down 4"</li> </ul>	<ul style="list-style-type: none"> <li><b>006-009</b> 600lm - 9w</li> </ul>	<ul style="list-style-type: none"> <li><b>30</b> 3000k</li> <li><b>40</b> 4000k</li> <li><b>50</b> 5000k</li> </ul>	<ul style="list-style-type: none"> <li><b>R</b> 120v</li> </ul>	<ul style="list-style-type: none"> <li><b>2</b> E26</li> </ul>

## PHOTOMETRIC





## Bronze Series Down Light

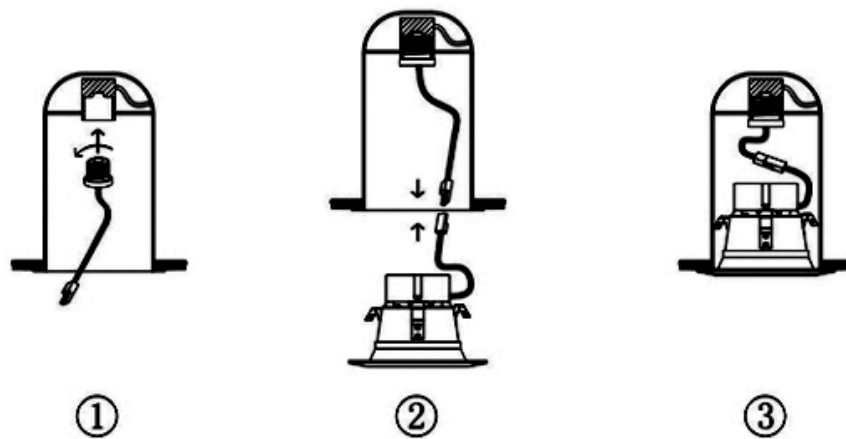
### INSTALLATION INFORMATION (WIRING)

This product must be installed in accordance with National Electrical Code(NEC) and/or applicable local codes, by a qualified electrician.

#### **DANGER - RISK OF SHOCK - DISCONNECT POWER BEFORE INSTALLATION**

- Plug in the Down Light or make the necessary 'HOT' (Black or Brown), 'Neutral' (White or Blue), and 'Ground' (Green) connections in an approved junction box.

### INSTALLATION INFORMATION



#### Steps:

1. Cut off the electricity.
2. Take the traditional light out and pull the wire with E26 base off.
3. Screw the base into the original holder.
4. Connect the wire by connectors.
5. Install the light into the container.