



Silver Plus Series Canopy Light 70w

DESCRIPTION:

Touch-Plate's Canopy Parking Garage Lights were designed to offer better security, more lumens, and higher cost savings. Our Canopy Parking Garage Lights can offer energy savings of 70% or greater over traditional metal halide or high pressure sodium lighting. Our LEDs are optimal for new construction and retrofit installations.

PRODUCT FEATURES:

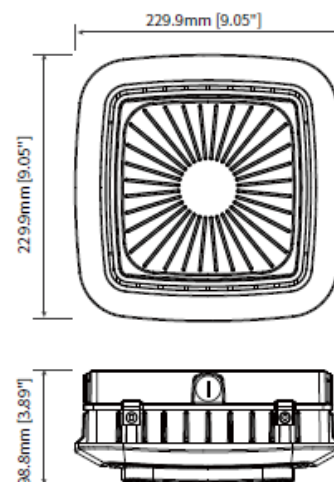
- Instant Start: no flickering or humming
- UV and IR free
- Die cast aluminum housing
- Lifetime of 50,000 hrs or greater
- UL Listed
- DLC Listed
- 5 Year Limited Warranty

SPECIFICATIONS:

- Wattage: 70w
- Lumens: 10,000 (approx > 140lm/w)
- Equivalence: 150W MHL/HPS/HID
- IP Rating: IP65
- LED Chips: Samsung 2835
- PF: >0.90
- Lens: Clear Glass
- Beam Angle: 160°
- Color : White

PHYSICAL PARAMETERS:

- Dimensions
 - Width: 9.05"
 - Depth: 3.89"
 - Length: 9.05"
- Weight
 - 6.89 lbs





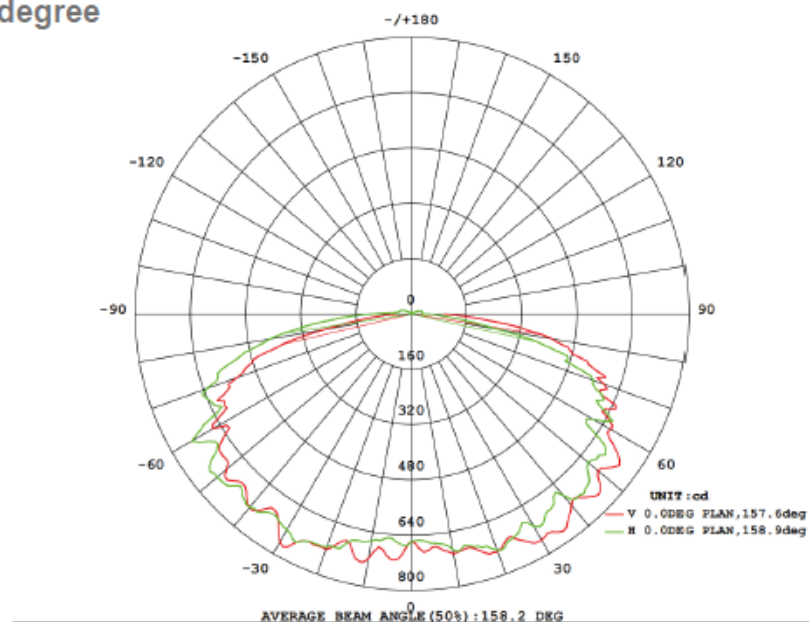
Silver Plus Series Canopy Light

ORDERING GUIDE

LED Type XXX -	Lumens - Wattage XXJ - JJJ	CCT -XX	Voltage X
<ul style="list-style-type: none"> CPG Canopy Parking Garage 	<ul style="list-style-type: none"> 100 - 070 10000lm - 70w 	<ul style="list-style-type: none"> 40 4000k 50 5000k 57 5700k 	<ul style="list-style-type: none"> U 100-277v

PHOTOMETRIC

160 degree



Silver Plus Series Canopy Light

INSTALLATION INFORMATION (WIRING)

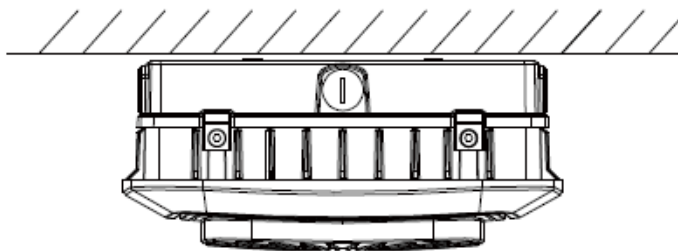
This product must be installed in accordance with National Electrical Code(NEC) and/or applicable local codes, by a qualified electrician.

DANGER - RISK OF SHOCK - DISCONNECT POWER BEFORE INSTALLATION

- Make the necessary 'HOT' (Black or Brown) , 'Neutral' (White or Blue) , and 'Ground' (Green) connections in an approved junction box.

INSTALLATION INFORMATION

Ceiling Mounting



Pendant Mounting

